

Safety steps:

- 1) Always wear safety glasses/goggles to prevent injury from debris.
- 2) Follow the installation/removal instructions for your existing products.

TOOL LIST:

- 1) P1 or P2, Phillips screw driver
- 2) Safety glasses/goggles

NOTE:

- 1) Attach arm to wall bracket and mount TV to arm before beginning cover installation.
- 2) Arm Safety Brake Pin must be removed from arm nose to install the new Nose Arm Cover.
- 3) **DO NOT DISCARD SAFETY BRAKE PIN.**
 - For **500** series arms, store the safety brake pin in the hole marked by label PDI-283.
 - For **400** series arms, keep the safety pin for future service of the arm and/or TV.
- DO NOT STORE THE SAFETY PIN INSIDE THE NOSE OF A 400 SERIES ARM!**
- 4) Secure nose cover per TV installation instructions, on older arms that have the PDI-536 metal nose cover.

PD216-063

PROCEDURE FOR 500 SERIES ARMS:

STEP 1.

Assemble supplied spring pins into one of the Arm Cover halves. Pins should be installed into one cover side only.

- * 2 pins in base cover
- * 3 pins in elbow cover

STEP 2.

Securely hold Arm Cover and carefully, by hand, push the pin into one of the small holes located in the end of each mounting boss. The pin only needs to go in far enough to stay in place on its own. If using tools, don't press the pin more than halfway into the hole. Repeat until the pins are installed in all of the bosses in half of the Arm Cover pairs.

STEP 3.

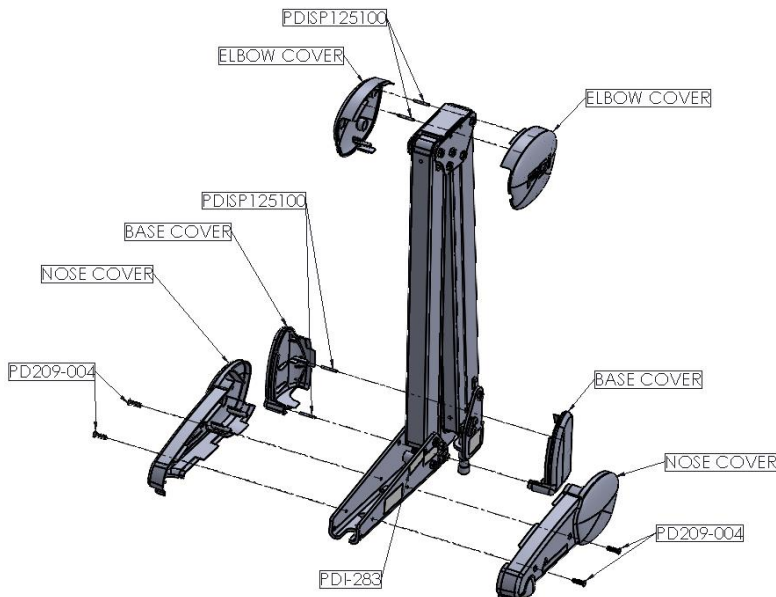
Place the Arm Cover half that has the installed pins on the arm in its proper position. Sandwich the other half of the arm cover around the arm section by aligning the exposed pin ends with the open holes in the second cover half. When the pins and holes are aligned, carefully squeeze the two halves together. When the halves are properly installed there should only be a thin seam visible where the halves meet.

STEP 4.

Repeat until both pairs of covers, Base, and Elbow are installed.

STEP 5.

Attach the left and right Nose covers to the nose, using (4) PD209-004 screws.



Note:
Arms that have a PDI-536 (metal nose cover) will use pins to attach the plastic nose covers.

	MODEL NUMBER: PD216-063 & PD216-075	Document Number: PD196-046R7
	ARM COVER KITS FOR 400 & 500 SERIES ARMS: Installation Instructions	Page 2 of 2

PD216-075

PROCEDURE FOR 400 SERIES ARMS:

STEP 1.

Assemble supplied spring pins into one of the Arm Cover halves. Pins should be installed into one cover side only.

* 2 pins in base cover

* 2 pins in elbow cover

* 5 pins in nose cover, on older arms that have the PDI-536 metal nose cover. **Arms with nose cover mounting holes will use four**

PD209-004 screws to attach the plastic nose covers.

STEP 2.

Securely hold Arm Cover and carefully, by hand, push the pin into one of the small holes located in the end of each mounting boss. The pin only needs to go in far enough to stay in place on its own. If using tools, don't press the pin more than halfway into the hole. Repeat until the pins are installed in all of the bosses in half of the Arm Cover pairs.

STEP 3.

Place the Arm Cover half that has the installed pins on the arm in its proper position.

Sandwich the other half of the arm cover around the arm section by aligning the exposed pin ends with the open holes in the second cover half.

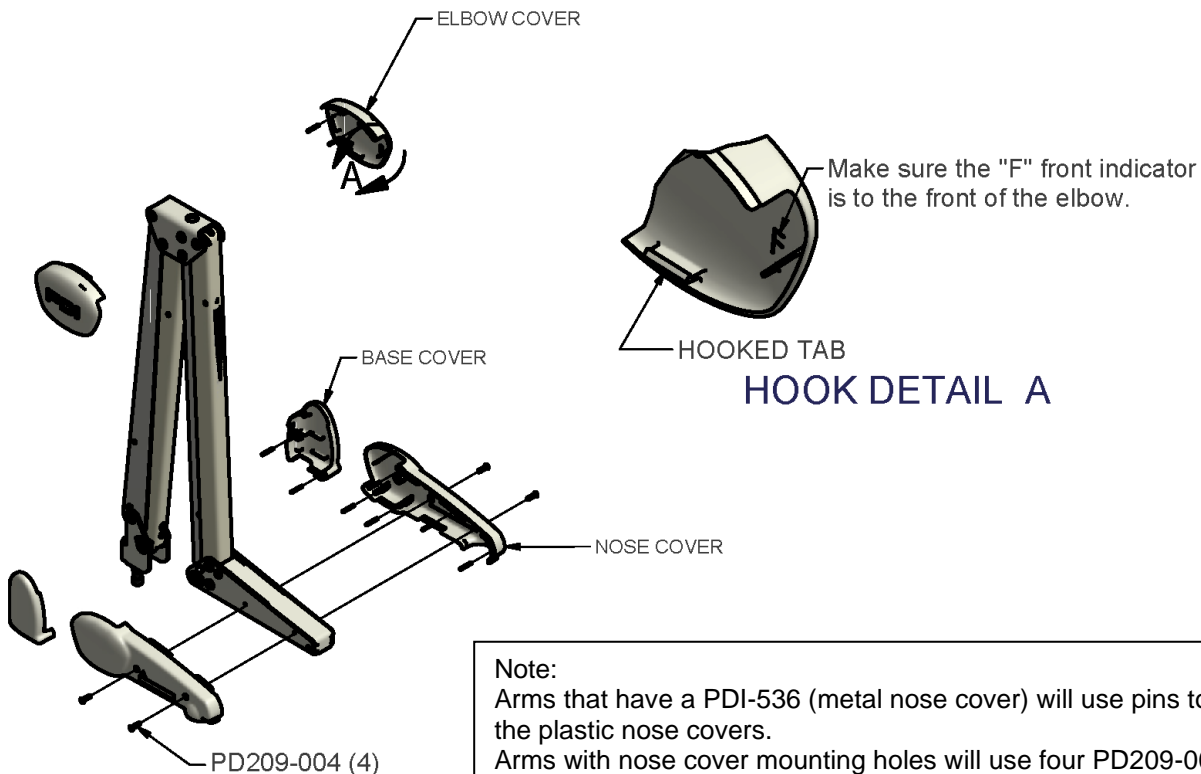
When the pins and holes are aligned, carefully squeeze the two halves together.

For the elbow cover, be sure that the hooked tabs are snapped securely onto the lower edges of the elbow.

When the halves are properly installed there should only be a thin seam visible where the halves meet.

STEP 4.

Repeat until all three pairs of covers, Base, Elbow, and Nose are installed.



Note:
 Arms that have a PDI-536 (metal nose cover) will use pins to attach the plastic nose covers.
 Arms with nose cover mounting holes will use four PD209-004 screws to attach the plastic nose covers.