

	MODEL NUMBER: Arm Mounted PDi TV	Document Number: PD196-428R3
	Installation Instructions	Page 1 of 4

INTRODUCTION

This document provides the information to install any low voltage PDi TV. These instructions cover the standard design of the arm mounted PDi TV with top mount or rear mount and any customizations incorporated may not be specifically outlined in these instructions.

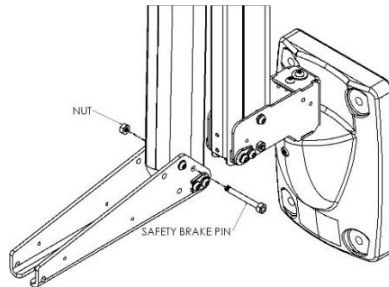
Note: See the specific Installation Instruction for the VESA mount for additional details for Rear Mounted TV's.

SAFETY

1. Always wear safety glasses/goggles to prevent injury from debris.
2. Follow the installation/removal instructions for your existing products.
3. Prior to installing or removing the TV, ensure power to the TV has been disabled according to the safety procedures of the facility.



DANGER: ARM RECOIL HAZARD. The safety brake pin must remain in the SAFETY BRAKE PIN HOLE whenever the television set is removed from the arm or when the arm is removed from the wall bracket to prevent the arm from springing open.



INSTALLATION – TOP MOUNTED UNIT

Tools needed
 3/16" hex wrench
 Safety glasses/goggles

1. Remove PDi TV from the box. Be sure to save the foam inserts and the box as they will be needed if you ever need to return your PDi TV.

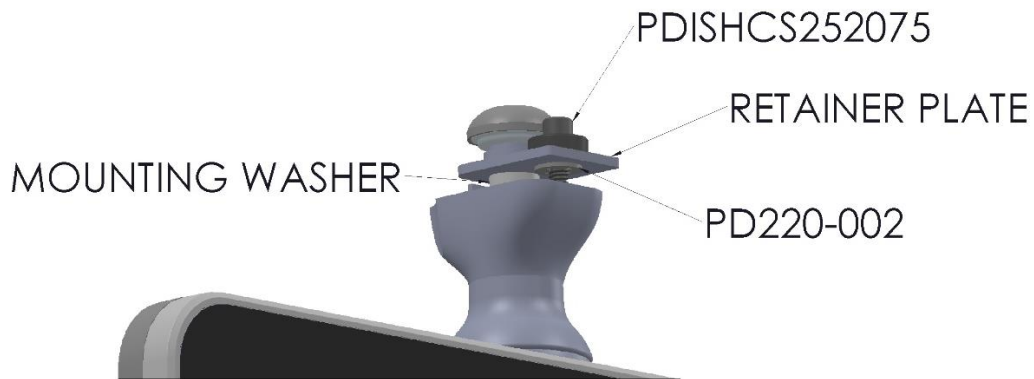
Note: Store the monitor as shown when not mounted on the arm.



	MODEL NUMBER: Arm Mounted PDi TV	Document Number: PD196-428R3
	Installation Instructions	Page 2 of 4

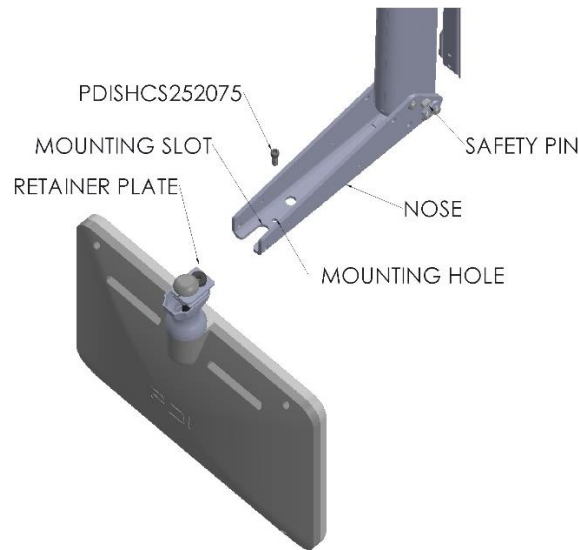


- Remove screw PDISHCS252075 and retaining washer PD220-002. Discard the washer PD220-002 and place screw PDISHCS252075 to the side.



- If they have been installed, remove the nose covers for the PDi swing arm. See Arm Installation Instructions for additional details.
- Slide the PDi TV into the nose so that mounting washer fits inside the slot in the nose, the retainer plate rests inside the nose and the hole in the retainer plate aligns with the mounting hole of the nose. Install screw PDISHCS252075 in the mounting hole, and tighten with 3/16" hex wrench.





5. The safety brake pin can now be removed by removing one of the nuts installed on each end of the safety pin. After removing the safety pin, re-install the nut and store the safety pin in the nose of the swing arm. This will allow for convenient access if there is a need to remove the TV.
6. Ensure that power is safely removed from the power supply to the TV and arm. Connect the cables from the arm to the PDi TV as required, be sure to follow all appropriate safety procedures for working with the cables.
7. Re-install the covers for the PDi swing arm. See Arm Installation Instructions for additional details.

INSTALLATION – REAR MOUNTED UNIT

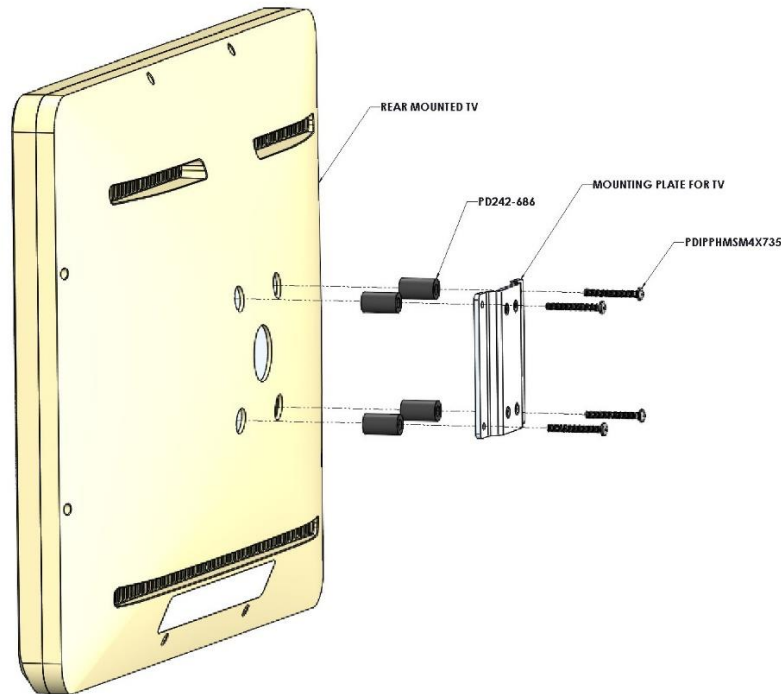
Tools needed

#2 Phillips screwdriver
Safety glasses/goggles

1. Remove PDi TV from the box. Be sure to save the foam inserts and the box as they will be needed if you ever need to return your PDi TV.
2. Place the spacers, PD242-686, in the four holes in the rear cabinet.
3. Holding the TV against the mounting plate, insert the mounting screws through the VESA mounting plate and thread them into the bracket inside the TV, through the spacers. It is recommended to install the top two screws first, and finger tighten. See figure below.

Note: Be sure that the cables coming out the rear of the TV do not get pinched between the TV and the mounting plate.

	MODEL NUMBER: Arm Mounted PDi TV	Document Number: PD196-428R3
	Installation Instructions	Page 4 of 4



4. After all four screws are installed, use the screwdriver to tighten the screws.
5. Ensure that power is safely removed from the power supply to the TV and arm. Connect the cables from the arm to the PDi TV as required, be sure to follow all appropriate safety procedures for working with the cables.

WARRANTY

PDi Communication Systems, Inc., (“PDi”) standard warranty information is found at pdiam.com. For information regarding authorized servicing and all other information pertaining to this warranty, please contact PDi COMMUNICATION SYSTEMS, INC. at 40 Greenwood Ln, Springboro, Ohio 45066 or phone 800-628-9870 and ask for the PDi ProServices team.

