

	MODEL NUMBER: PD168-086 & PD168-087 & PD168-089	Document Number: PD196-441R2
	Installation Instructions	Page 1 of 3

Scope:

To Mount a PD168-086 J-Hook Mount to a 100x100 VESA, 100x200 VESA or 200x200 VESA TV in a **PDI-179** or **PDI-179AV** wall mount or to mount a PD168-087 J-Hook Mount to a 400x400 VESA TV in a **PDI-179** or **PDI-179AV** wall mount or to mount a PD168-089 J-Hook Mount to a 200x300 VESA or a 200X400 VESA TV.

Notes:

1. The maximum capacity for this mount is 55 pounds.
2. This mount cannot be used with a **PDI-A55A** TV, due to the VESA pattern, contact PDi using information at the end of the document for questions.
3. The TVs used in the graphics are used as reference only and are not included with the kits listed.

Tool List:

1. P1 or P2 Phillips Screwdriver
2. 1/8" Hex Wrench
3. Safety Glasses/Goggles

Safety Steps:

1. Always wear safety glasses/goggles to prevent injury from debris.
2. Follow the installation/removal instructions for your existing products.

VESA Pattern Chart:

PDi TV	VESA Pattern (mm)
PDI-A24	100x100
PDI-A32	100x200
PDI-A43	200x200
PDI-A55	400x400
PDI-A65	200x300

PD168-086 Installation Instructions

Bill of Material:

Item	Part Number	Description	QTY
1	PD168-086	J-Hook Articulating Mount	1
2	PDIPPHMSM6X110	Screw, Phillips Pan Head, M6-1 x 10mm	4

Procedure:

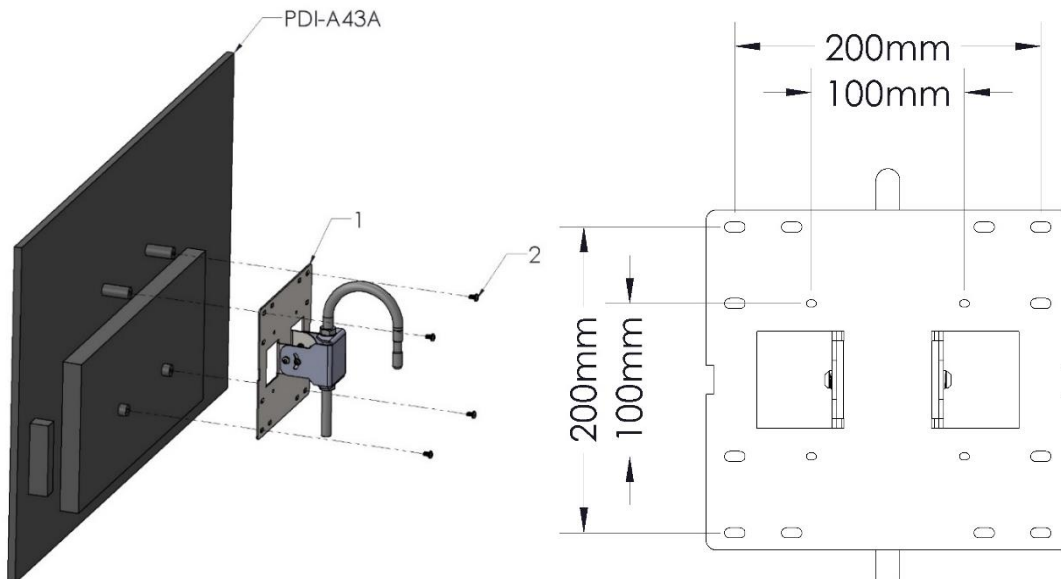
Step 1:

Mount the wall mount, **PDI-179** or **PDI-179AV**, to the wall following the installation instructions included with the mount, (**PD196-047** or **PD196-396**).

Step 2:

Attach the J-Hook mount, **PD168-086**, (#1) to the TV using four (4) screws, **PDIPPHMSM6X110**, for PDi TVs with a 100x200 VESA or a 200x200 VESA as shown below. Be sure to align the correct slots on the J-Hook mount, **PD168-065**, with the VESA pattern on the back of the TV, see reference dimensions below.

Note: Use customer supplied M-4 screws to mount a PDi TV with a 100x100 VESA.



	MODEL NUMBER: PD168-086 & PD168-087 & PD168-089	Document Number: PD196-441R2
	Installation Instructions	Page 2 of 3

Step 3:

Seat the J-Hook Mount, **PD168-086**, (#1) into the wall mount, **PDI-179** or **PDI-179AV**, and tighten the pilfer proof screw.

Step 4:

To adjust the tilt of the TV, support the weight of the unit and loosen both adjustment screws, one on each side shown below, using a 1/8" hex wrench and adjust to the desired tilt. Tighten the adjustment screws down once the desired tilt has been achieved until the TV remains in place.

Note: Only loosen the adjustment screw! Loosening the non-adjustment screws could cause the TV to fall.



PD168-087 Installation Instructions

Bill of Material:

Item	Part Number	Description	QTY
1	PD168-086	J-Hook Articulating Mount	1
2	PDIPPHMSM6X110	Screw, Phillips Pan Head, M6-1 x 10mm	4
3	PD181-881	Plate, Mounting, 400 x 400 VESA, Right	1
4	PD181-882	Plate, Mounting, 400 x 400 VESA, Left	1
5	PDIFW10	Washer, Flat, #10	4
6	PDINILN1032	Nut, Nylok, #10-32	4
7	PDIPPHMSM8X20	Screw, Phillips Pan Head, M8-1.25 x 20mm	4

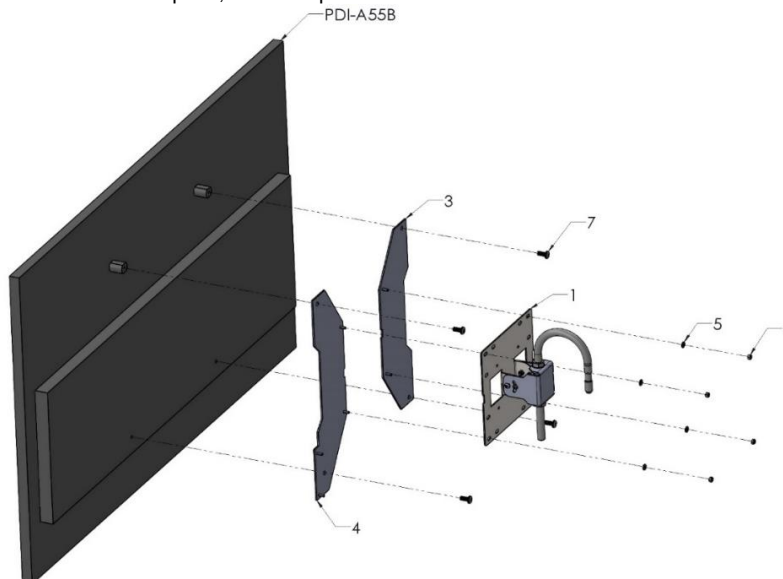
Procedure:

Step 1:

Attach the mounting plates, **PD181-881** (#3) and **PD181-882** (#4), to the back of the TV and attach to the TV with four (4) screws, **PDIPPHMSM8X20**, (#7).

Step 2:

Attach the J-Hook mount, **PD168-086**, (#1) to the mounting plates, **PD181-881** (#3) and **PD181-882** (#4), using four washers, **PDIFW10**, (#5) and four (4) nuts, **PDINILN1032**, (#6) as shown. Once this is complete, follow steps 3 and 4 above.



	MODEL NUMBER: PD168-086 & PD168-087 & PD168-089	Document Number: PD196-441R2
	Installation Instructions	Page 3 of 3

PD168-089 Installation Instructions

Bill of Material:

Item	Part Number	Description	QTY
1	PD168-086	J-Hook Articulating Mount	1
2	PD181-910	Plate, Adaptor, 200mm to 300mm or 400mm	2
3	PDIFWM6	Washer, Flat, M6	4
4	PDINILNM6	Nut, Nylok, M6-1	4
5	PDIPPHMSM6X116	Screw, Phillips Pan Head, M6-1 x 16mm	4

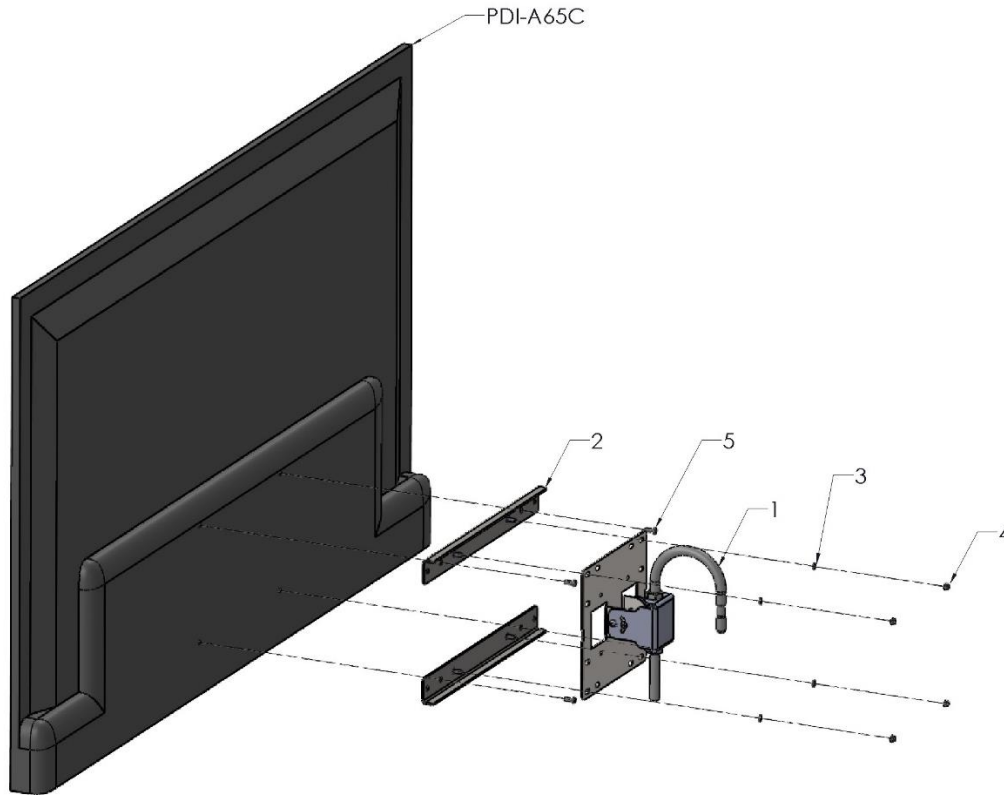
Procedure:

Step 1:

Attach the adaptor plates, **PD181-910** (#2), to the back of the TV and attach to the TV with four (4) screws, **PDIPPHMSM6X116**, (#5).

Step 2:

Attach the J-Hook mount, **PD168-086**, (#1) to the mounting plates, **PD181-910** (#2), using four washers, **PDIFWM6**, (#3) and four (4) nuts, **PDINILNM6**, (#4) as shown. Once this is complete, follow steps 3 and 4 above.



Limited Warranty

PDi Communication Systems Inc., ("PDi") standard warranty information is found at PDiarm.com. For information regarding authorized servicing and all other information pertaining to this warranty, please contact PDi COMMUNICATION SYSTEMS, INC. at 40 Greenwood Ln, Springboro, Ohio 45066 or phone 800-628-9870 and ask for the PDi ProServices team.